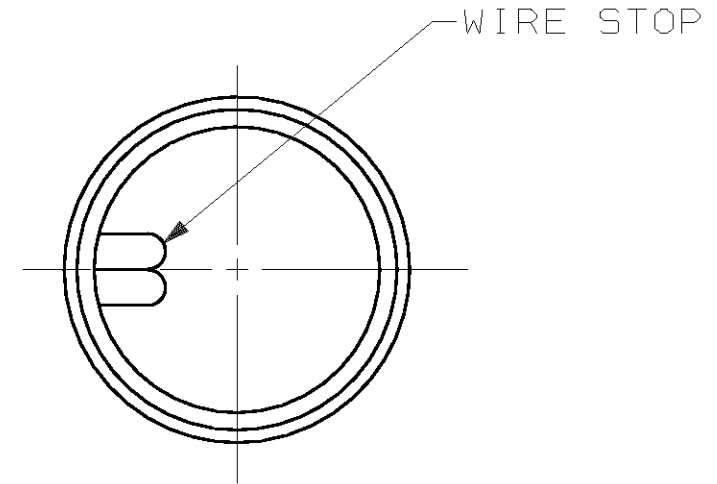
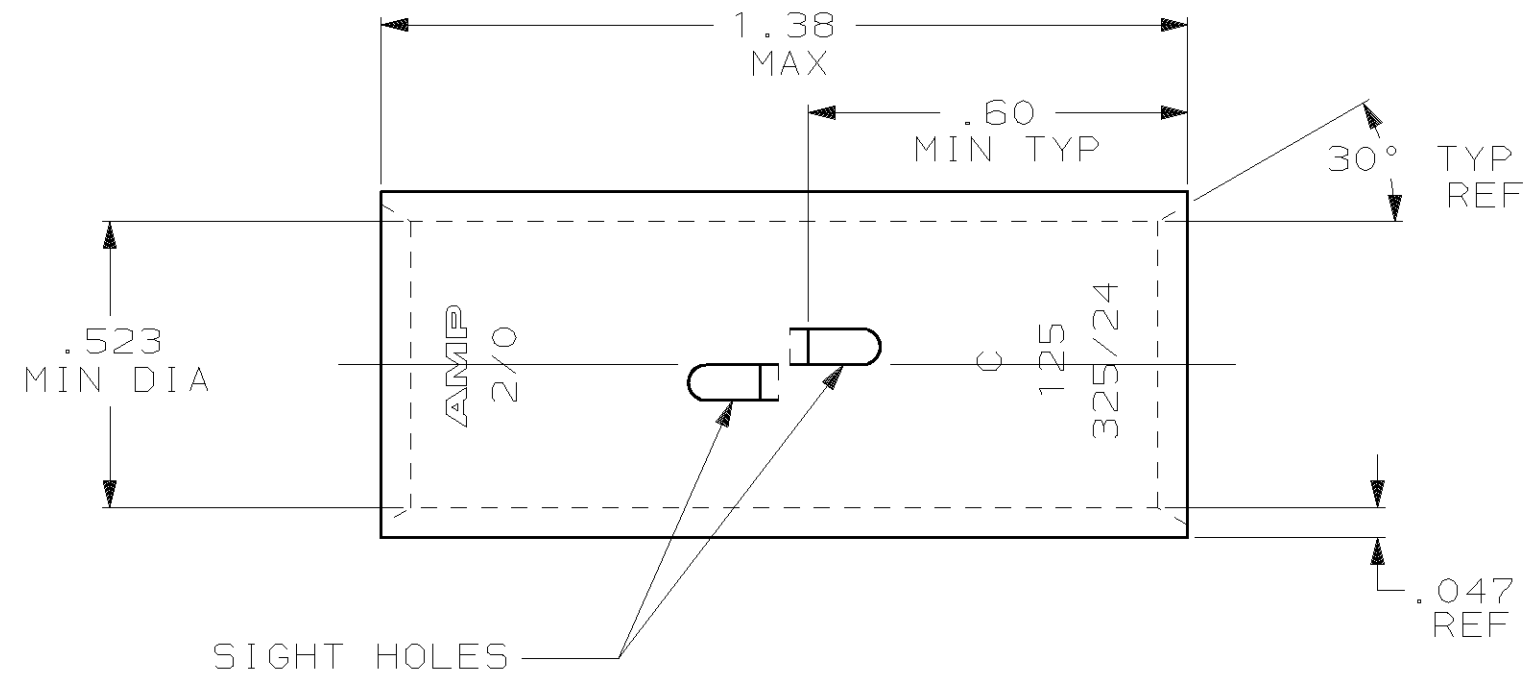


THIS DRAWING IS UNPUBLISHED. RELEASED FOR PUBLICATION, 19
 © COPYRIGHT 19 BY AMP INCORPORATED. ALL INTERNATIONAL RIGHTS RESERVED.

| | | | | | | | | |
|-----|------|---|---|-----------|-----|----------------------|---------|-------|
| LOC | DIST | P | F | REVISIONS | | | DATE | APPD |
| G | 86 | | | ZONE | LTR | DESCRIPTION | | |
| | | | | | M | REV PER 0G3A-0637-01 | 030CT02 | JR/MS |



1 TIN PL .000150 MIN THK
 MIL-T-10727

| | | | |
|---|---|--|------------|
| CLEANED | 119,500-150,500 CM | COPPER ASTM-B-75 ANNEALED | 1-324459-0 |
| FINISH | WIRE RANGE | MATERIAL | 324459 |
| DO NOT SCALE PRINT. UNLESS SPECIFIED DIMENSIONS IN INCHES TOLERANCES ON: 2 PLC DEC ± - 3 PLC DEC ± - ANGLES ± - | DR 4/24/89 DK SCHRUM CHK 4/24/89 MS FEHER | AMP INCORPORATED Harrisburg, Pa. 17105 | |
| MATERIAL | APPD 11/8/89 WJ VOCKROTH APPD 11/8/89 TL SHUTTER | NAME SPLICE, BUTT, AMPPOWER WIRE SIZE: 2/0 AWG | |
| SEE TABLE | PRODUCT SPEC | SIZE | FSCM NO |
| FINISH | APPLICATION SPEC | B | 00779 |
| SEE TABLE | WEIGHT .037 LB. | SCALE | DRAWING NO |
| | | 4:1 | 324459 |
| | | SHEET | 1 OF 1 |